

Digital Dental X-ray

Midmark Animal
Health Products



Disease you can't see...

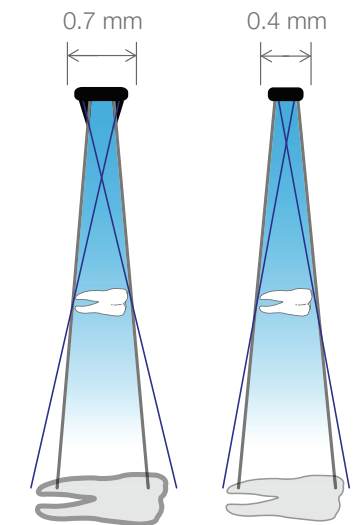
60% of periodontal disease lies below the gum line, and many issues aren't detectable via probing or visual inspection.*

Don't let patients leave your clinic with undiagnosed disease. Only through the use of dental radiographs can you effectively diagnose dental disease that could result in tooth loss and many systemic diseases affecting the heart, liver and kidneys.



VetPro® Digital Dental X-ray Systems from Midmark are the best solution for your dental X-ray needs:

- The most intuitive, easy to use, veterinary-specific software and control panel on the market (select a tooth and take a shot)
- DC technology allows you to adjust kVp (60, 65 and 70) and mA (4, 5, 6 and 7), perfect for today's digital environment
- Most flexible system available – customize settings to meet your needs
- 0.4 mm focal spot (smallest in the industry) produces visibly higher resolution images
- Superior construction – made in the U.S.A.
- The industry's best before, during and after sale support
- Best value on the market



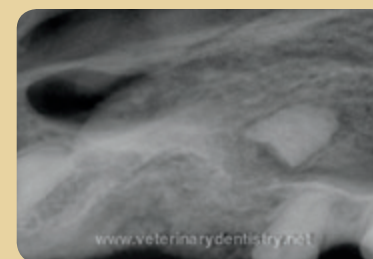
The VetPro® DC 0.4 mm focal spot produces visibly higher resolution images whether you're using film or digital sensors. Details are sharper and more defined. Small but important differences are easier to spot. Pathologies are easier to identify.



Teeth appear normal and healthy.



X-ray shows underlying pathology.



Post-extraction images allow you to spot any remaining tooth fragments.

You can't afford not to invest in dental X-ray. VetPro® systems can pay for themselves in less than a year! Let us show you how.

* PetMD, Gum Disease in Dogs, www.petmd.com/dog/conditions/mouth/c_multi_peridontal_disease

Designed to provide exceptional digital images.

The smallest possible focal spot and adjustable mA, kV and time settings give you the perfect solution for today's digital imaging environment.

VetPro® DC

Enhance your clinic's efficiency

Simple-to-understand icons and a large, easy-to-read display makes the VetPro® DC simple to use. You can select the mA, kV and time settings of your choice, or choose the convenient pre-programmed technique settings for fast procedure readiness.

Unprecedented quality and stability

High-tolerance, frictionless joints provide amazingly smooth arm movement while the heavy duty dual braking system keeps it in place for precise and stable positioning. A unique tube head handle lets you effortlessly put the X-ray source where you want it, with just one hand. VetPro® DC is available with a 56", 66", 76" or 82" arm length or as a versatile mobile system.

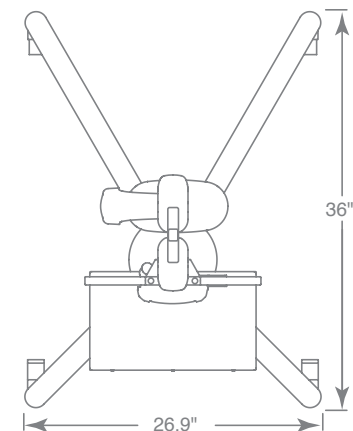


VetPro® Complete Digital Dental Radiography System

The first integrated veterinary dental X-ray and digital sensor system.

Combine the VetPro® DC with a VetPro® DR Digital Sensor System for an unmatched synergy of technology and efficiency. DR sensors utilize 16-bit image processing and 4,096 levels of grey to deliver highly detailed diagnostic images in less than 5 seconds. USB plug-and-play makes installation simple.

- High resolution digital sensor always at hand, always ready
- USB 2.0 plug-and-play connectivity
- 0.4 mm focal spot, adjustable kV, adjustable mA, time to 20 ms: the perfect combination for digital sensors
- Simple connector at arm makes sensor size changes fast and easy
- No messy cables or countertop boxes
- 56", 66", 76" or 82" arm lengths and versatile mobile system



Mobile
Base: 26.9" w x 36" h
 (68.3 cm x 91.4 cm)
Height: 79.9" (195.3 cm)
Arm reach: 56" (142.2 cm)

VetPro® DC Mobile

- Only 26.9" wide – moves easily through standard doorways
- 3.5" heavy duty wheels and two brake locks make movement easy and assures stability
- Base can be rotated 360 degrees for easy repositioning
- UL tested and approved
- Exceptional stability

VetPro® Complete Mobile Imaging Station

A complete imaging solution that includes a VetPro® Complete Mobile unit with #2 sensor, laptop pre-loaded with imaging software and laptop tray.



VetPro® DR sensor for advanced digital dental imaging.

Quickly capture clean, clear digital images for diagnosis and client education.

VetPro® DR delivers superior soft-tissue visualization as well as exceptional crown and root definition, all with low noise so you get the quality digital images you need to provide your patients with the best dental care. Plus, the durable design of the new VetPro® DR sensor takes the worry out of digital image capture.

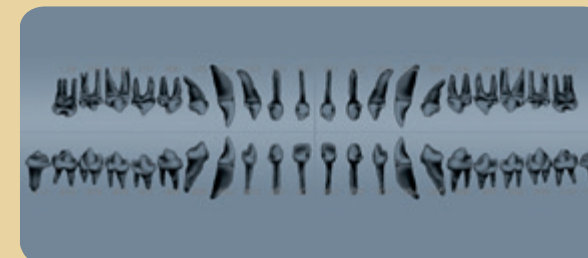
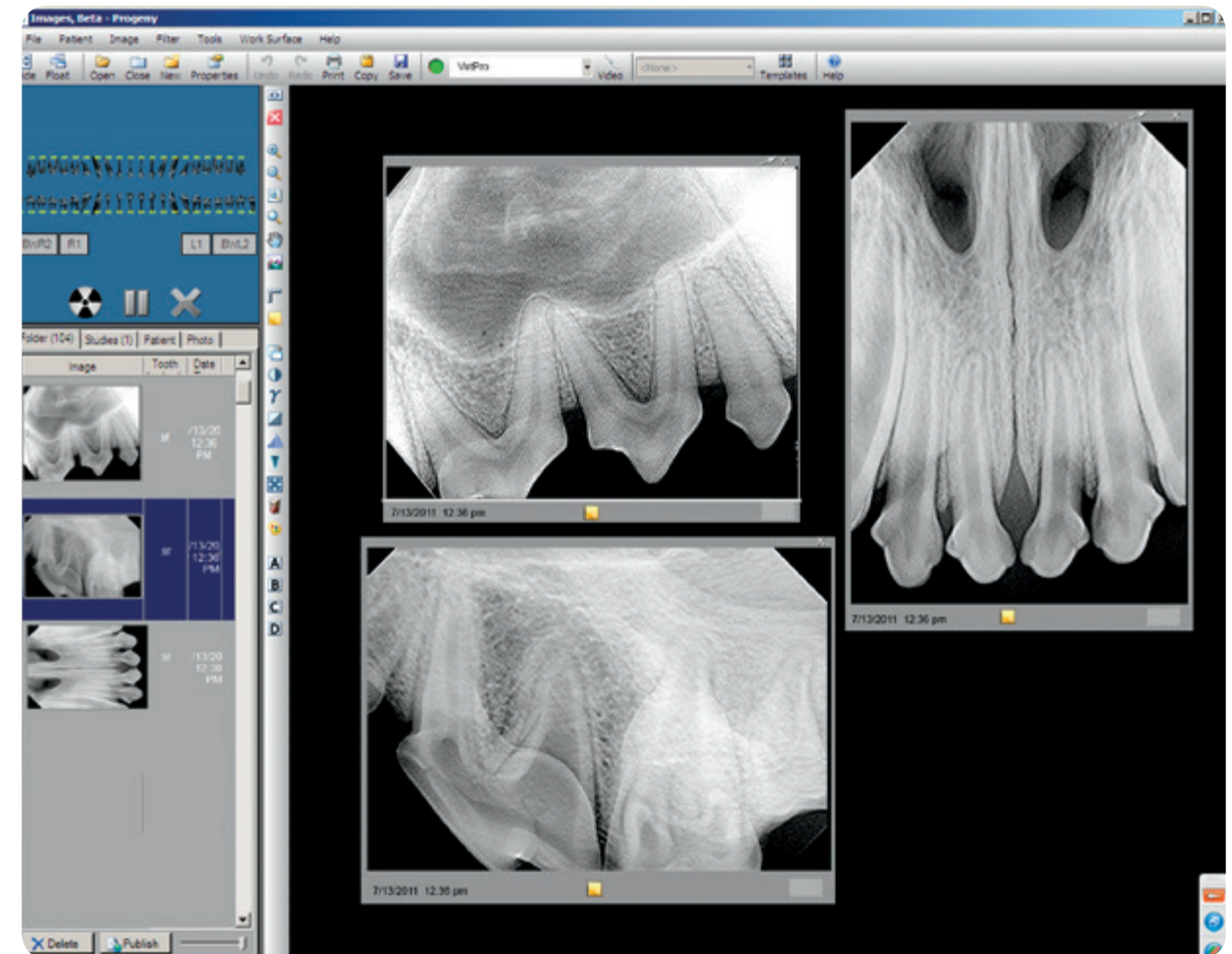
- Cable is Kevlar® reinforced for exceptional durability
- Hermetically sealed, waterproof design means no problems during routine cleaning
- Advanced CMOS technology delivers outstanding image quality
- High speed USB connection captures images 37% faster
- Rounded corners means easier positioning in tight spaces for better capture of roots
- Ask us about our Sensor Safe™ Extended Care and Factory Warranty Extension programs



No-hassle installation: VetPro® DR uses the latest USB technology. Simply connect the USB cable to your PC, use the quick calibration flash drive to prepare your sensor, and the system is ready to take high quality digital images.

Imaging Software

Use your VetPro® DR System with our easy-to-use imaging software. Look and formatting is familiar and easy to learn. Acquire, enhance and store images with ease. Our software features canine and feline tooth templates organized using the Triadan System, is DICOM compliant, and able to work with leading practice management systems and PACS servers.



Canine Tooth Panel



Feline Tooth Panel

VetPro® DC Specifications

Line voltage: 120-230 VAC
 +/- 10% 50-60 Hz

Line load: maximum current amps

Tube potential: 60, 65 or 70 kVp

Tube current: 4, 5, 6 or 7 mA

Exposure time: 20 ms to 2 seconds

Cone length: 20 cm (8 inches)

Minimum inherent filtration: 2 mm Al equivalent at 70 kVp

Focal spot: 0.4 mm (IEC 336)

Duty factor: 1:15

Remote exposure hand switch included

Shipping weight: 95 lb (wall mount) 330 lb (mobile)

Applicable documents federal regulations: 21 CFR, UL, CE

Warranty: 2 years, limited

Options: choice of 56", 66", 76" or 82" (total reach); metal stud mounting plate

82" sold with double stud mounting plate

VetPro® DR Sensors Specifications

Dimensions:
 Size 1 (film size equivalent) 37 mm x 24 mm x 6 mm
 Size 2 (film size equivalent) 43 mm x 30 mm x 6 mm

Active Area:
 Size 1 (film size equivalent) 30 mm x 20 mm
 Size 2 (film size equivalent) 36 mm x 26 mm

Number of Pixels:
 Size 1 (film size equivalent) 1580 lines x 1050 pixels
 Size 2 (film size equivalent) 1896 lines x 1368 pixels

Pixel Size: 19 µm x 19 µm

Theoretical Resolution: 26 lp/mm

Levels of Grey: 4096

Connection Type: High speed USB 2.0

Sensor Cable Length: 3 meters

Warranty: 2 years

